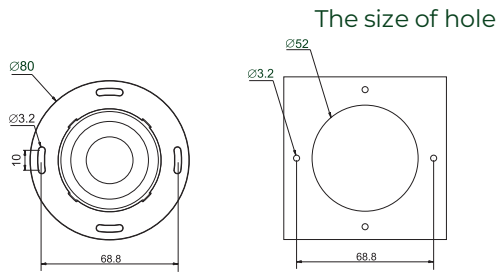
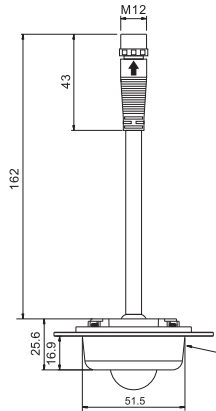


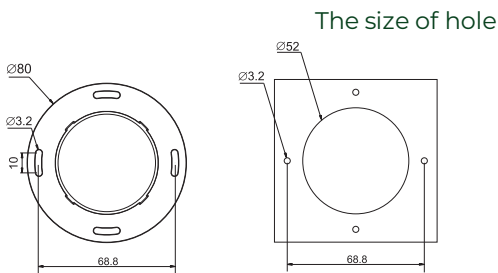
SENSORES PARA CONTROLADORES MPPT



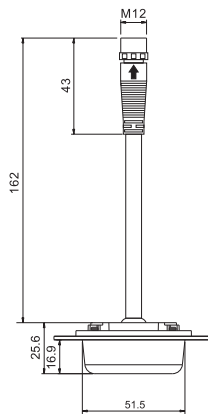
SR-COM-IR dimensions:
Overall dimensions: 80x80x25.6 (mm)
Mounting dimensions: 68.8x68.8 (mm)
Mounting hole diameter: 3.2 (mm)



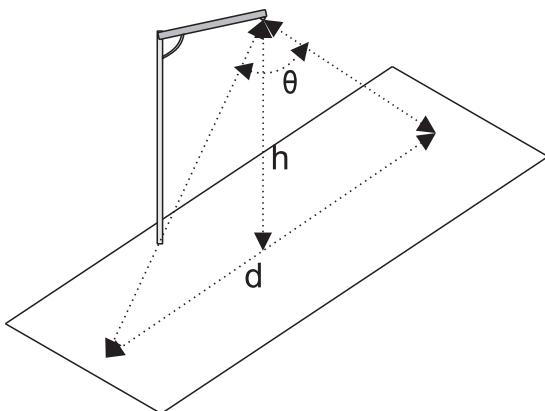
SR-COM-IR
INFRARED



SR-COM-WB dimensions:
Overall dimensions: 80x80x25.6 (mm)
Mounting dimensions: 68.8x68.8 (mm)
Mounting hole diameter: 3.2 (mm)



SR-COM-WB
MICROWAVE



| Inductive Type | θ (Angle) | h (Height of lamp rod) | d (Inductive width) |
|----------------|------------------|---------------------------|------------------------|
| IR (infrared) | 60° | 6~8m | 6~10m |
| WB (microwave) | 65° | 6~10m | 7~10m |