

# Painel Monocristalino

Módulo Solar PV

**36 Cells - 20W**

## The main features



### Power and tolerance

0~+3W positive power tolerance guarantee



### Resistance to the PID

Harsh conditions for 96 hours testing qualified (@ 85 °C / 85%). For special severity Installation environment, can meet higher standards



### Stronger surface resistance to mechanical loads

It has passed the certification of 6000Pa snow load and 3600Pa wind load



### High reliability and weather resistance

Through dust, salt fog, ammonia corrosion test, can effectively deal with the harsh environment



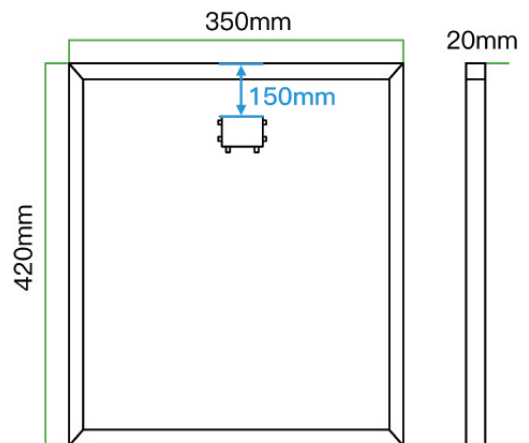
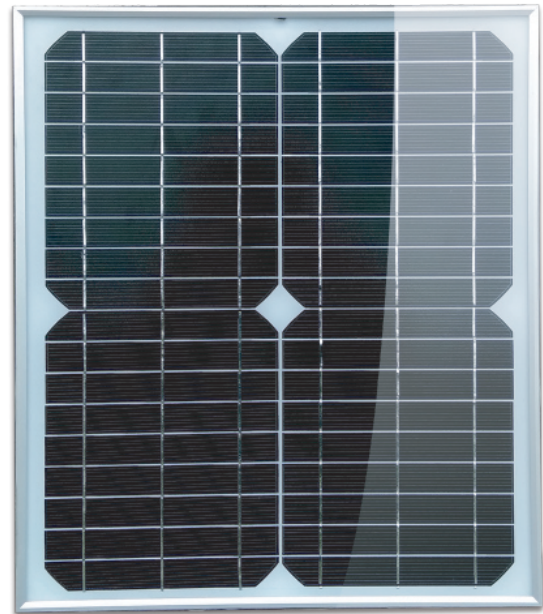
### The hail test

It passed the hail test with a diameter of 45mm and a speed of 30.7m/s

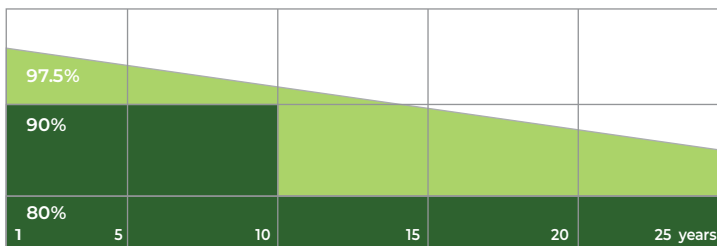


### Lower temperature coefficient

Better temperature coefficient makes the power attenuation less at high temperature



## Best quality assurance



Linear power output warranty

Industry quality assurance

12 years of product material and process quality assurance  
25 years linear power output warranty



**POLYCRYSTALLINE 20W**

MODEL	SN-M20
Maximum Power/Pmax(Wp)	20
Optimum Operating Voltage/Vmp(V)	18.00
Optimum Operating Current/Imp(A)	1.11
Open Circuit Voltage/Voc(V)	21.60
Short Circuit Current/Isc(A)	1.18
Cell Efficiency	20.55%
Module Efficiency	13.61%
Power Tolerance	0~+3W
Maximum Series Fuse Rating(A)	15A
Maximum System Voltage	1000VDC

**MAXIMUM DATA**

Operating Module Temperature	-40 °C to +80 °C	°C
Storage Temperature	From -40 °C to +80 °C	°C
Insulation Cut Voltage	1000	DC
Maximum Wind Resistance	60m/s	N/m <sup>2</sup> or max KM/h
Surface Maximum Load Capacity	200	Kg/m <sup>2</sup>
Maximum Hail Load Capacity	5mm	80km/h

**MECHANICAL CHARACTERISTICS**

Number of cells	36(18*2)
Cell Dimension(mm)	156*17.33
Dimension(mm)	420*350*20
Weight(Kg)	1.8
Frame Material	Clear anodized aluminium frame
Thickness of Glass	3.2mm tempered glass
Frame	Anodized aluminum alloy
Laminating Material	EVA (Light transmittance more than 92%)
Backsheet Material	TPT (High weather resistance)
Junction Box	Ip65 (1500V system voltage available)
Output cable	90cm 2x4.0mm <sup>2</sup> MC4 connector
Bus Bar	5BB 6BB

**STC**

AM Condition	AM1.5
Irradiance conditions	1000W/m <sup>2</sup>
Temperature Cell	25 C

**I-V CURVE**

